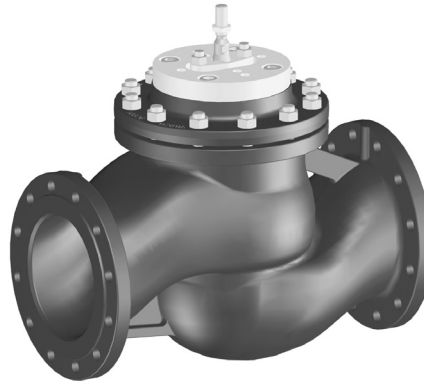


**Globe valve, 2-way, Flange, PN 16**

- For closed cold and warm water systems
- For water-side modulating control of air-handling and heating systems


**Type overview**

Type	DN [ ]	kvs [ m <sup>3</sup> /h]	Stroke [ mm]	PN [ ]	Sv min. [ ]
<b>H6200W630-S7</b>	200	630	65	16	30
<b>H6250W1000-S7</b>	250	1000	65	16	30

**Technical data**

<b>Functional data</b>	Media	Cold and warm water, water with glycol up to max. 50% vol.	
	Medium temperature	5...120 °C	
	Permissible pressure ps	1600 kPa	
	Flow characteristic	equal percentage (VDI/VDE 2173) n(gl) = 3, optimised in the opening range	
	Leakage rate	max. 0.05% of the kvs value	
	Pipe connectors	Flange according to ISO 7005-2 (PN 16)	
	Closing point	Bottom (▼)	
	Installation position	Upright to horizontal (in relation to the stem)	
	Maintenance	Maintenance-free	
	<b>Materials</b>	Housing	EN-JL1040 (GG25), with protective paint
		Closing element	Stainless steel
Stem		Stainless steel	
Stem seal		EPDM ring	
Seat		Stainless steel	

**Safety notes**


- The valve has been designed for use in stationary heating, ventilation and air-conditioning systems and is not allowed to be used outside the specified field of application, especially in aircraft or in any other airborne means of transport.
- Only authorised specialists may carry out installation. All applicable legal or institutional installation regulations must be complied during installation.
- The valve does not contain any parts that can be replaced or repaired by the user.
- The valve may not be disposed of as household refuse. All locally valid regulations and requirements must be observed.
- When determining the flow rate characteristic of controlled devices, the recognised directives must be observed.

## Product features



### Notes

- Large globe valve and long stroke actuator are supplied pre-mounted.
- These valves are fabricated only when orders are received.

### Mode of operation

The large globe valve is adjusted by a long stroke actuator. The actuators are connected by a commercially available modulating or 3-point control system and move the valve cone, which acts as a throttling device, into the opening position dictated by the positioning signal.

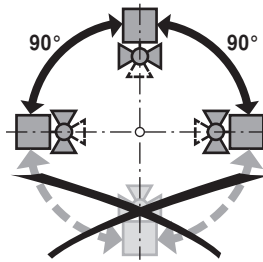
### Flow characteristic

An equal percentage flow characteristic is produced by the profile of the valve cone.

## Installation notes

### Recommended installation positions

The large globe valves may be mounted from upright to horizontal. It is not permissible to mount the large globe valves with the spindle pointing downwards.



### Water quality requirements

The water quality requirements specified in VDI 2035 must be adhered to. Belimo valves are regulating devices. For the valves to function correctly in the long term, they must be kept free from particle debris (e.g. welding beads during installation work).

The installation of suitable strainer is recommended.

### Maintenance

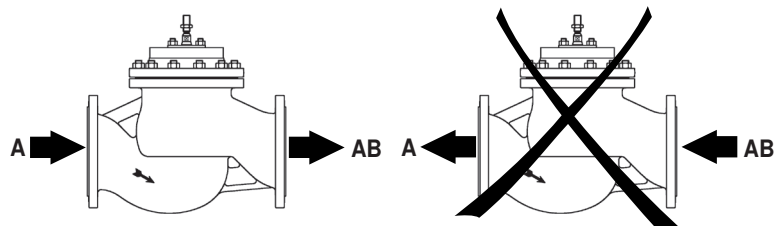
Large globe valves and long stroke actuators are maintenance-free.

Before any kind of service work is carried out on actuator, it is essential to isolate the long stroke actuator from the power supply (by disconnecting the power lead if required). Any pumps in the part of the piping system concerned must also be switched off and the appropriate shut-off valves closed (allow everything to cool down first if necessary and reduce the system pressure to ambient pressure level).

The system must not be returned to service until the large globe valve and the long stroke actuator have been properly reinstalled in accordance with the instructions and the pipes have been refilled in the proper manner.

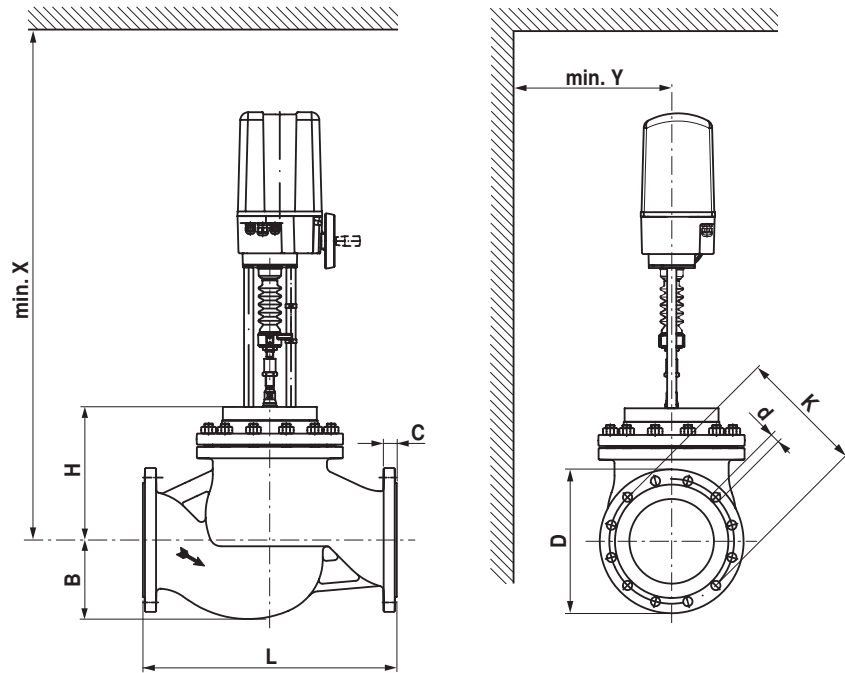
### Flow direction

The direction of flow, specified by an arrow on the housing, is to be complied with, since otherwise the valve could become damaged.



Dimensions / Weight

Dimensional drawings



X/Y: Minimum distance with respect to the valve centre.  
 Weight including GV.. long stroke actuator  
 The actuator dimensions can be found on the respective actuator data sheet.

Type	DN [ ]	L [ mm]	B [ mm]	H [ mm]	C [ mm]	D [ mm]	d [ mm]	K [ mm]	X [ mm]	Y [ mm]	Weight approx. [ kg]
H6200W630-S7	200	600	187	315	30	340	12 x 22	295	1210	200	150
H6250W1000-S7	250	730	233	375	32	405	12 x 26	355	1270	250	230

Further documentation

- Overview Valve-actuator combinations
- Data sheets for long stroke actuators
- Installation instructions for valves and/or long stroke actuators
- Notes for project planning 2-way and 3-way globe valves