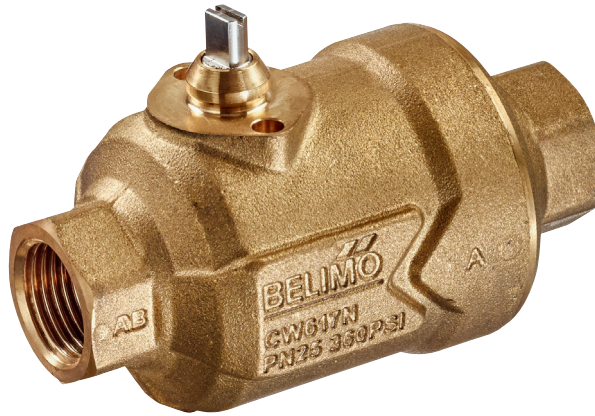


PI Zone Valve, 2-way, Internal thread

- For closed cold and warm water systems
- For modulating control of air-handling and heating systems on the water side
- Snap-assembly of the actuator


Type overview

Type	DN []	Rp ["]	Vnom [l/h]	PN []	Sv min. []
C215QP-B	15	1/2	210	25	100
C215QP-D	15	1/2	420	25	100
C220QP-F	20	3/4	980	25	100

Technical data

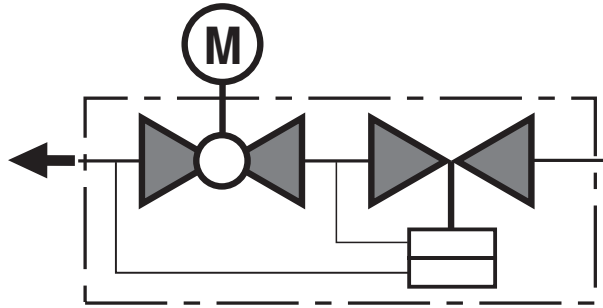
Functional data	Media	Cold and warm water, water with glycol up to max. 50% vol.
	Medium temperature	2...90°C
	Pressure value	16...350 kPa
	Permissible pressure ps	1600 kPa
	Closing pressure Δps	700 kPa
	Flow characteristic	equal percentage (VDI/VDE 2178), optimised in the opening range
	Pressure stability	With a pressure value of 16...350 kPa: ±10%
	Leakage rate	Leakage rate A, tight (EN 12266-1)
	Flow setting	see Installation instructions
	Pipe connector	Internal thread according to ISO 7-1
	Angle of rotation	90°
	Angle of rotation note	Operating range 15...90°
	Installation position	Upright to horizontal (in relation to the stem)
	Maintenance	Maintenance-free
Materials	Housing	Brass body
	Closing element	Stainless steel
	Stem	Stainless steel
	Stem seal	O-ring EPDM
	Ball seat	PTFE, O-ring EPDM
	Diaphragm	EPDM
Terms	Abbreviations	Vnom = nominal flow with valve completely opened
		Vmax = maximum flow set by the angle of rotation limitation on the actuator

Safety notes


- The valve has been designed for use in stationary heating, ventilation and air-conditioning systems and must not be used outside the specified field of application, especially in aircraft or in any other airborne means of transport.
- Only authorised specialists may carry out installation. All applicable legal or institutional installation regulations must be complied during installation.
- The valve does not contain any parts that can be replaced or repaired by the user.
- The valve may not be disposed of as household refuse. All locally valid regulations and requirements must be observed.
- When determining the flow rate characteristic of controlled devices, the recognised directives must be observed.

Product features

- Mode of operation** The ball valve is adjusted by a rotary actuator. The actuator is controlled by a commercially available modulating or 3-point control system and moves the ball of the valve – the throttling device – to the position dictated by the positioning signal. Open the characterised control valve counterclockwise and close it clockwise.
- Flow characteristic** Equal percentage flow control is ensured by the special design of the ball.
- Constant flow volume** With a differential pressure of 16...350 kPa, a constant flow volume is achieved thanks to the integrated pressure regulating valve. Independent of the differential pressure through the valve, a valve authority of 1 is achieved. Even with pressure variations and in the partial load range, the flow rate remains constant with each respective opening position (angle of rotation) and ensures a steady control.



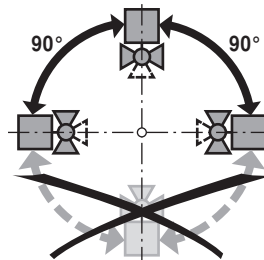
- Flow limitation** Instead of the electric actuator, the PIQCV-valve can also be operated with a flow limiter (see accessories). The flow limiter ensures that the heat exchanger is continuously supplied with a manually fixed amount of water.

Accessories

	Description	Type
Mechanical accessories	Pipe connector to ball valve DN 15 Rp 1/2"	ZR2315
	Pipe connector to ball valve DN 20 Rp 3/4"	ZR2320
	Spindle extension CQ, for cooling applications only	ZCQ-E
	Flow limiter PIQCV	ZCQ-FL

Installation notes

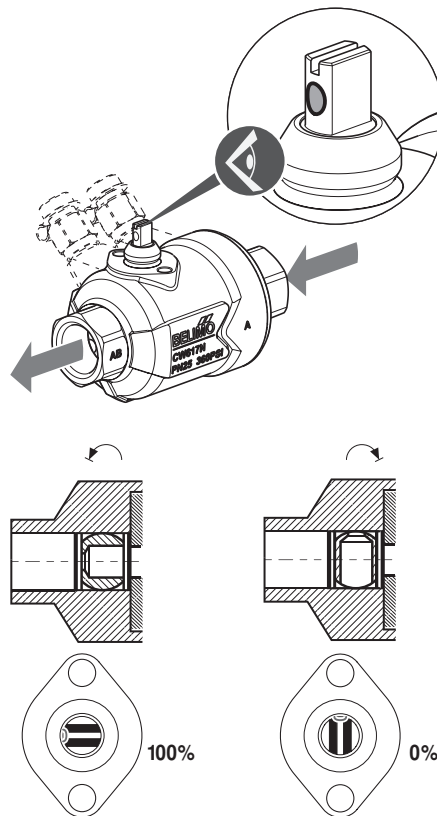
- Recommended installation positions** The ball valve can be installed upright to horizontal. The ball valve may not be installed in a hanging position, i.e. with the stem pointing downwards.



- Mounting position in the return** Installation in the return is recommended.
- Water quality requirements** The water quality requirements specified in VDI 2035 must be adhered to. Belimo valves are regulating devices. For the valves to function correctly in the long term, they must be kept free from particle debris (e.g. welding beads during installation work). The installation of suitable strainer is recommended.

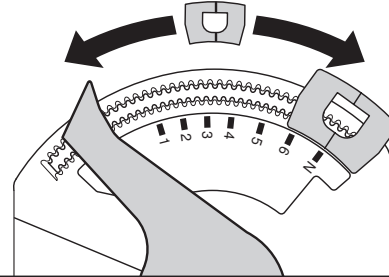
Installation notes

- Maintenance** Ball valves and rotary actuators are maintenance-free. Before any service work on the final controlling device is carried out, it is essential to isolate the rotary actuator from the power supply (by unplugging the electrical cable if necessary). Any pumps in the part of the piping system concerned must also be switched off and the appropriate slide valves closed (allow all components to cool down first if necessary and always reduce the system pressure to ambient pressure level). The system must not be returned to service until the ball valve and the rotary actuator have been correctly reassembled in accordance with the instructions and the pipeline has been refilled by professionally trained personnel.
- Flow direction** The direction of flow, specified by an arrow on the housing, is to be complied with, since otherwise the ball valve could become damaged. Please ensure that the ball is in the correct position (marking on the spindle).



Dimensions / Weight

Flow setting The angle of rotation of the actuator can be changed by clip in 2.5° increments. This is used to set the \dot{V}_{max} -value (maximum flow rate of the valve). Remove end stop clip and place at desired position. After every change of the flow setting by means of end stop clip, an adaptation must be triggered on the modulating actuators.

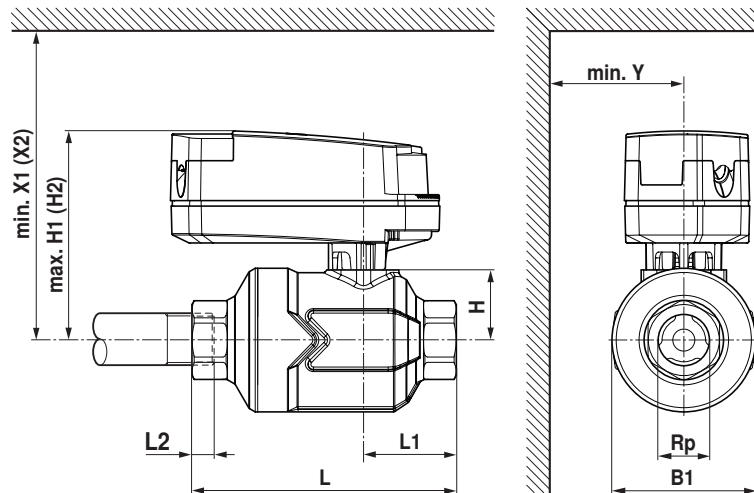


	Pos	1	2	3	3+	4-	4	4+	5-	5	5+	6-	6	6+	N-	N	
C215QP(T)-B	\dot{V}_{max} (l/h)	20	30	40	45	50	60	70	80	90	105	120	135	150	165	180	210
	\dot{V}_{max} (l/s)	0.006	0.008	0.011	0.013	0.014	0.017	0.019	0.022	0.025	0.029	0.033	0.038	0.042	0.046	0.050	0.058
C215QP(T)-D	\dot{V}_{max} (l/h)	50	70	100	110	130	150	170	190	210	240	270	300	330	360	400	420
	\dot{V}_{max} (l/s)	0.014	0.019	0.028	0.031	0.036	0.042	0.047	0.053	0.058	0.067	0.075	0.083	0.092	0.100	0.111	0.117
C220QP(T)-F	\dot{V}_{max} (l/h)	90	130	190	220	250	290	340	390	440	500	570	630	700	760	820	980
	\dot{V}_{max} (l/s)	0.025	0.036	0.053	0.061	0.069	0.081	0.094	0.108	0.122	0.139	0.158	0.175	0.194	0.211	0.228	0.272
C225QPT-G	\dot{V}_{max} (l/h)	260	410	600	670	750	840	920	1010	1110	1210	1310	1420	1530	1640	1750	2100
	\dot{V}_{max} (l/s)	0.072	0.114	0.167	0.186	0.208	0.233	0.256	0.281	0.308	0.336	0.364	0.394	0.425	0.456	0.486	0.583



Dimensions / Weight

Dimensional drawings



H1/X1: without spindle extension CQ
 H2/X2: with spindle extension CQ (ZCQ-E)
 L2: Maximum screwing depth.

Type	DN	Rp	L	L1	L2	B1	H	H1	H2	Y	X1	X2
	[]	["]	[mm]	[mm]	[mm]	[mm]	[mm]	[mm]	[mm]	[mm]	[mm]	[mm]
C215QP-B	15	1/2	96	34	13	52	26	80	112	40	125	155
C215QP-D	15	1/2	96	34	13	52	26	80	112	40	125	155
C220QP-F	20	3/4	106	39	14	63	31	85	117	45	130	165

Type	X2	Weight
	[mm]	[kg]
C215QP-B	155	0.7
C215QP-D	155	0.7
C220QP-F	165	1.1

Further documentation

- Overview Valve-actuator combinations
- Data sheets for actuators CQ..
- Installation instruction for zone valves and actuators
- General notes for project planning